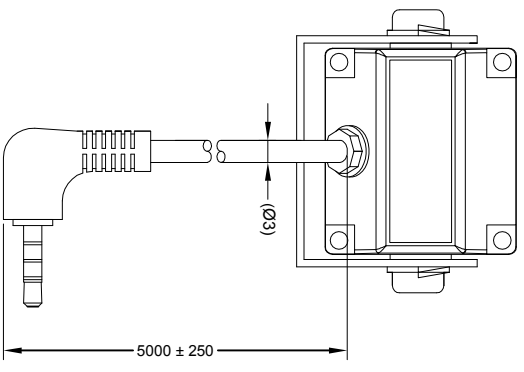
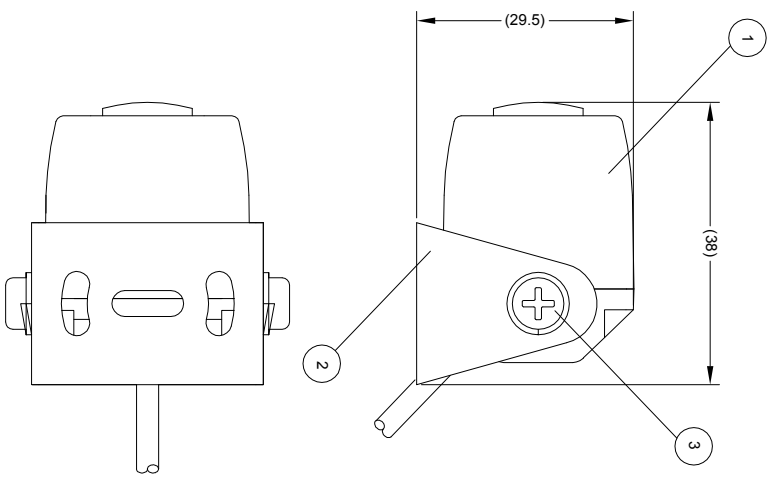
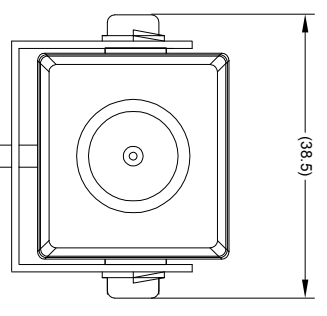
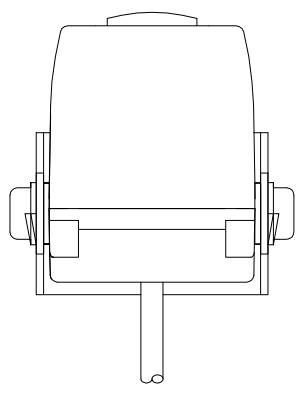


Revision Notes			
RT -			
APR -	Drawn:-	Checked:-	Approved:-
			Date:-

ITEM	PART NO.	QTY.	MODEL/DESCRIPTION
①	4685	1	EDR-142C-C - CAMERA ONLY
②	4686	1	EDR-142C-BKT - BRACKET
③	4687	2	EDR-142C-SCW - SIDE SCREWS
④	4688	1	EDR-142C-FIX - FIXING KIT (NOT SHOWN)



- NOTES:
1. REFER TO PRODUCT SPECIFICATION FOR PRODUCT SPECIFICATIONS.
  2. FOR GIFT BOX LABEL REFER TO THE LATEST REVISION OF DRAWING BE-002840-XX-14.
  3. FINISH BLACK.

**PROPRIETARY NOTICE**  
 THIS DESIGN AND TECHNICAL INFORMATION APPEARING ON THIS DRAWING IS THE PROPERTY OF BRIGADE ELECTRONICS, AND IS DISCLOSED IN CONFIDENCE. IT IS NOT TO BE COPIED, REPRODUCED, REVEALED TO OR EXPLOITED BY OTHERS, EITHER IN WHOLE OR IN PART WITHOUT THE EXPRESS WRITTEN CONSENT OF BRIGADE ELECTRONICS.

**BRIGADE**  
 www.brigade-electronics.com

Assembly PI Approval KLEE - 25/03/14		Approved by SMA TTHERMS		Checked by R.BATES		Drawn by P.MISSEN	
Angle of Projection		Units mm		Scale N/A		Released 25/03/14	
Third Angle		Status RELEASED		Assembly Ref EDR-142C		Part No BE-002826-00-14	

